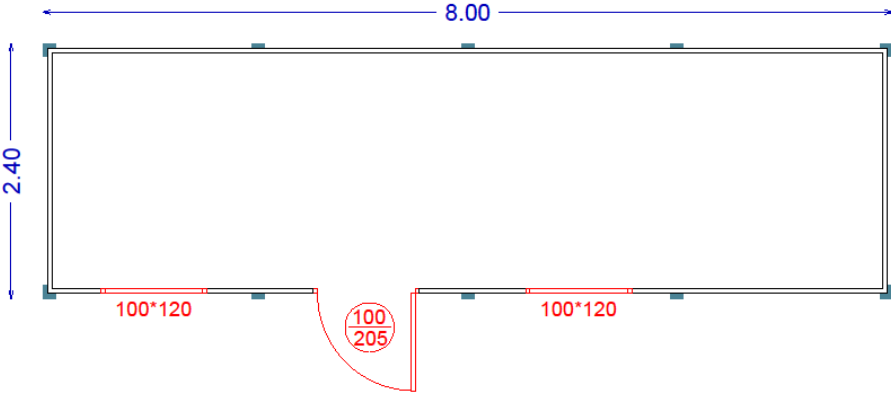
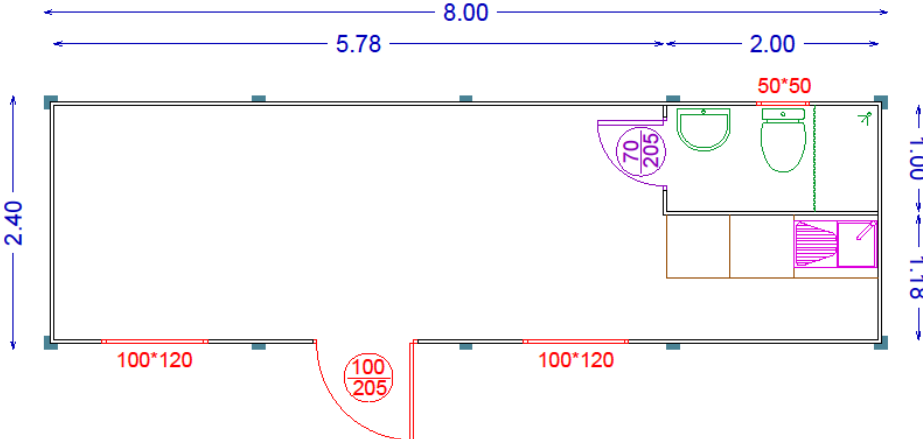
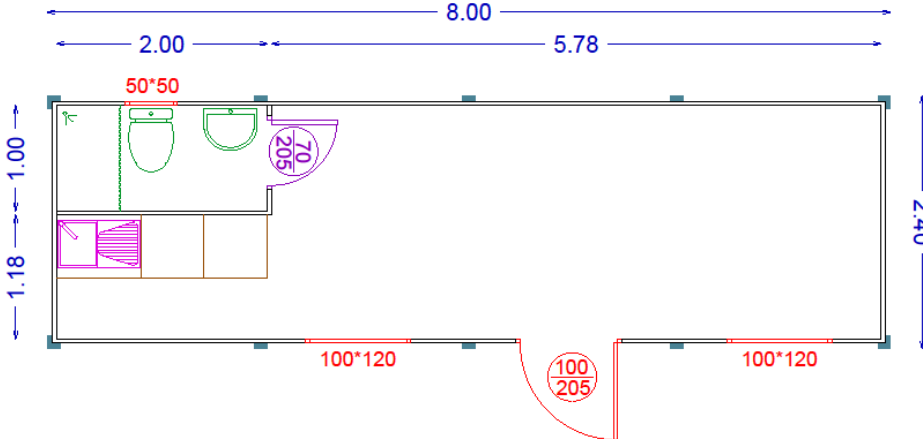
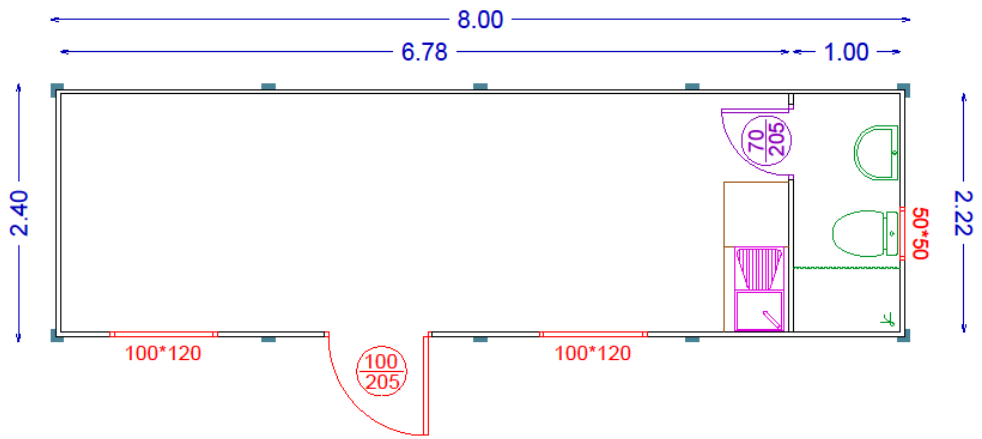
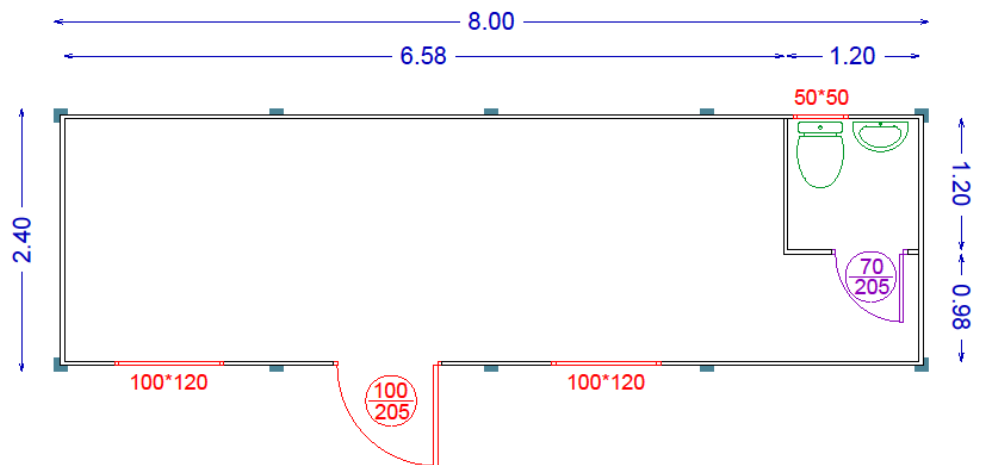


MOD.	ΚΑΤΟΨΗ
A801	 <p>Floor plan for unit A801. The room is rectangular with a total width of 8.00m and a total height of 2.40m. It features a central door labeled '100/205' and two windows labeled '100*120'.</p>
A802	 <p>Floor plan for unit A802. The room is rectangular with a total width of 8.00m and a total height of 2.40m. It includes a bathroom (50*50), a kitchen area, and a living area. The door is labeled '100/205'. The layout is divided into sections with widths of 5.78m and 2.00m, and heights of 1.00m and 1.18m.</p>
A803	 <p>Floor plan for unit A803. The room is rectangular with a total width of 8.00m and a total height of 2.40m. It includes a bathroom (50*50), a kitchen area, and a living area. The door is labeled '100/205'. The layout is divided into sections with widths of 2.00m and 5.78m, and heights of 1.00m and 1.18m.</p>

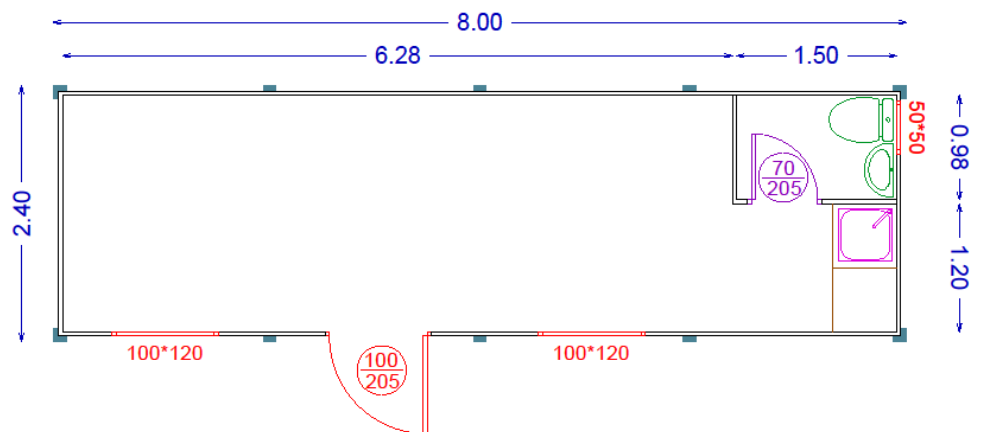
A804



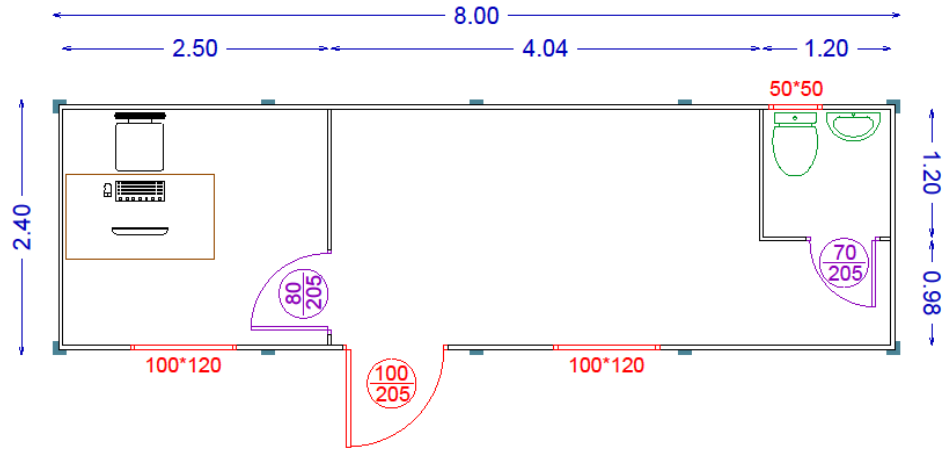
A805



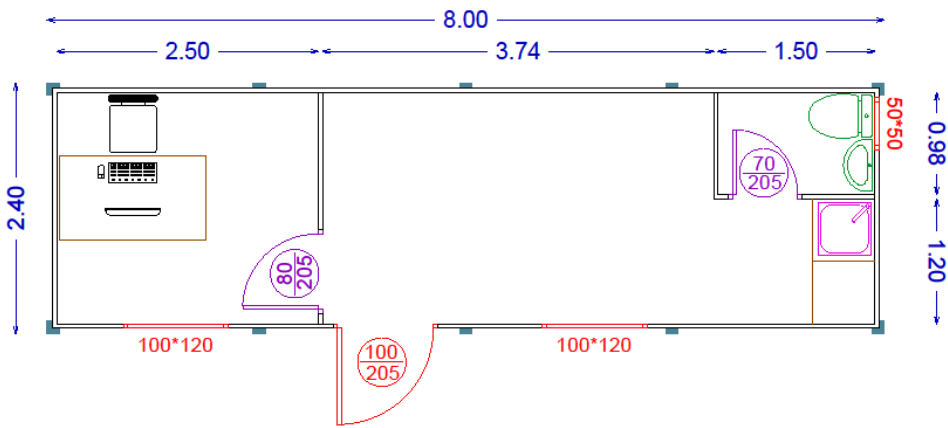
A806



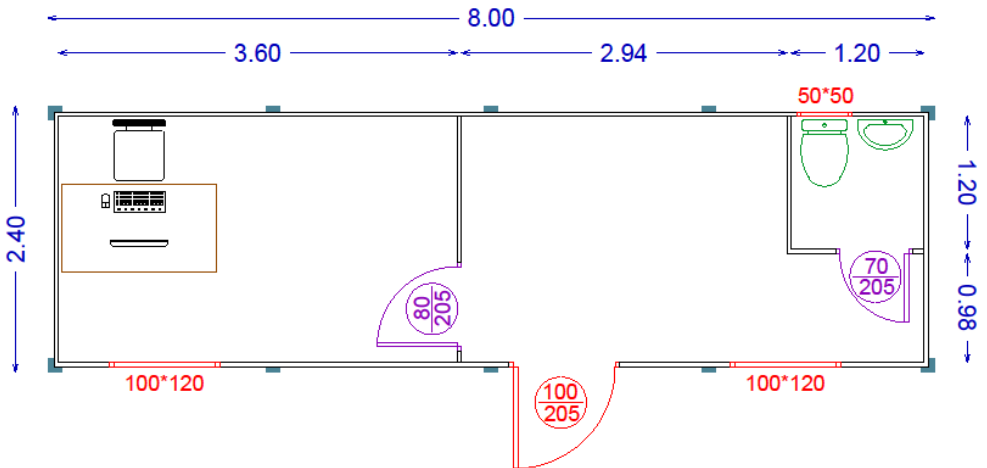
A807



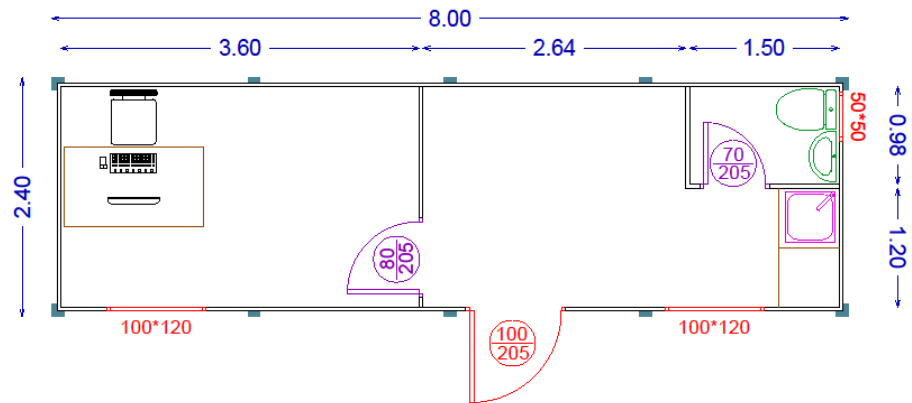
A808



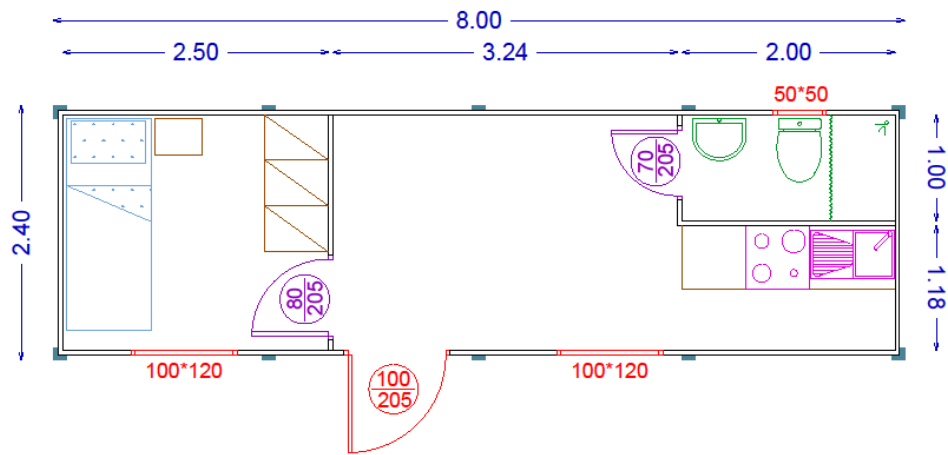
A809



A810



A811



A812

