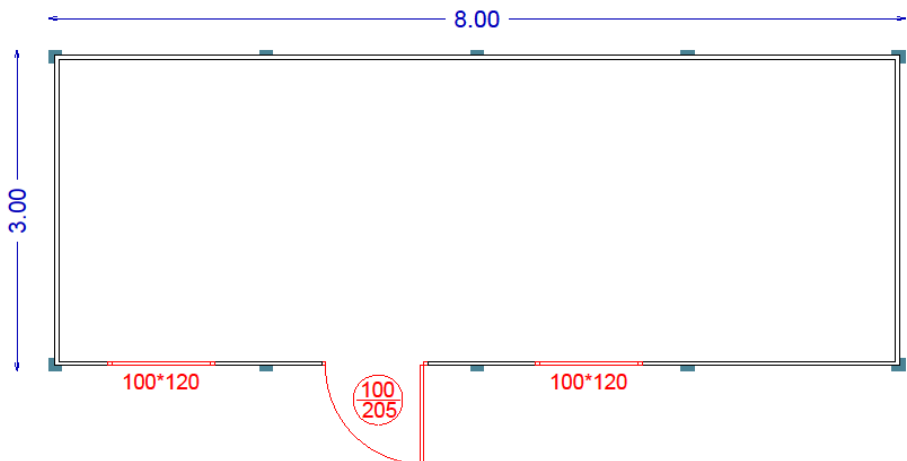
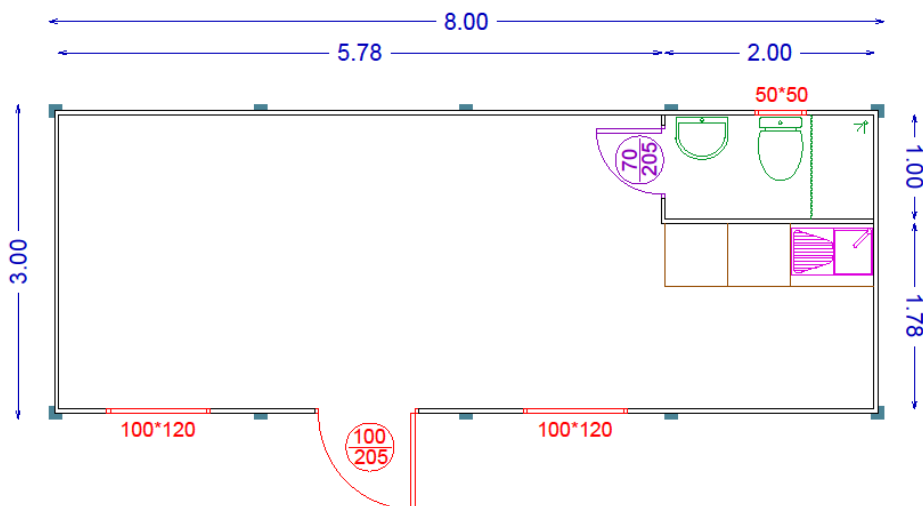
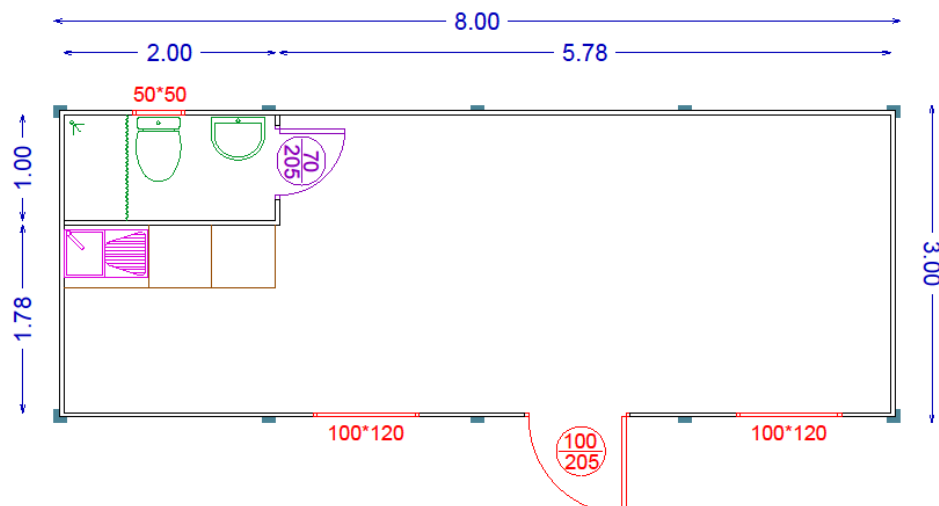
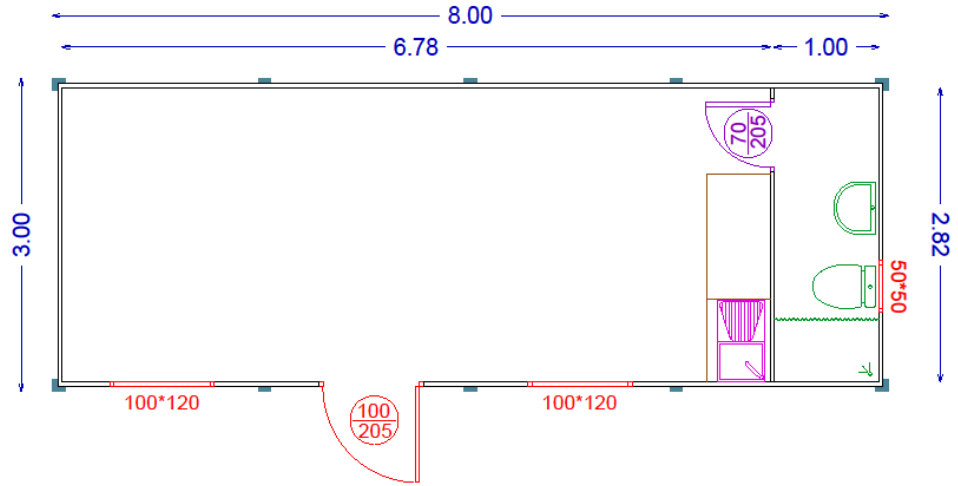
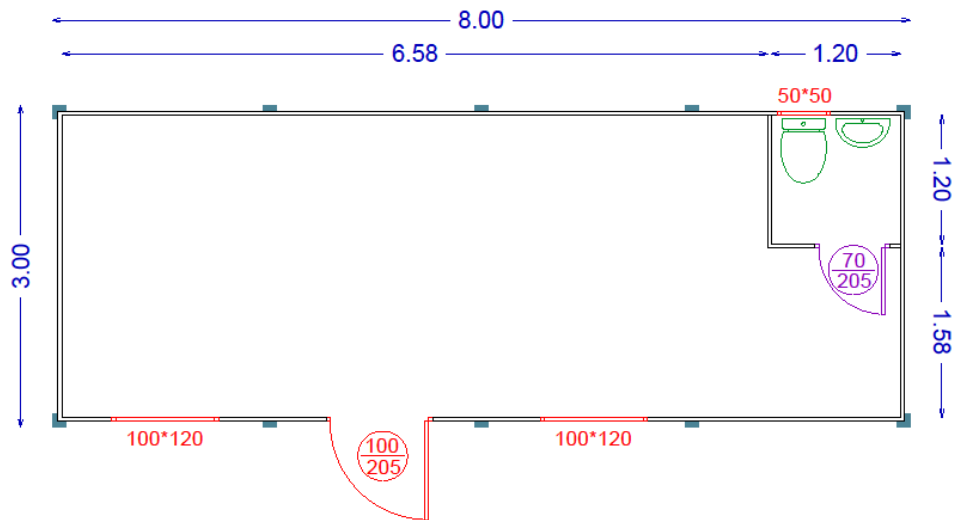


| MOD. | ΚΑΤΟΨΗ |
|------|--|
| B801 |  <p>Floor plan for MOD. B801. The room is rectangular with overall dimensions of 8.00m in width and 3.00m in height. A central door is labeled '100/205'. Two windows are labeled '100*120'.</p> |
| B802 |  <p>Floor plan for MOD. B802. The room is rectangular with overall dimensions of 8.00m in width and 3.00m in height. The layout includes a bathroom (50*50), a kitchen area, and a door labeled '70/205'. Windows are labeled '100*120'. Additional dimensions shown are 5.78m, 2.00m, 1.00m, and 1.78m.</p> |
| B803 |  <p>Floor plan for MOD. B803. The room is rectangular with overall dimensions of 8.00m in width and 3.00m in height. The layout includes a bathroom (50*50), a kitchen area, and a door labeled '70/205'. Windows are labeled '100*120'. Additional dimensions shown are 2.00m, 5.78m, 1.00m, and 1.78m.</p> |

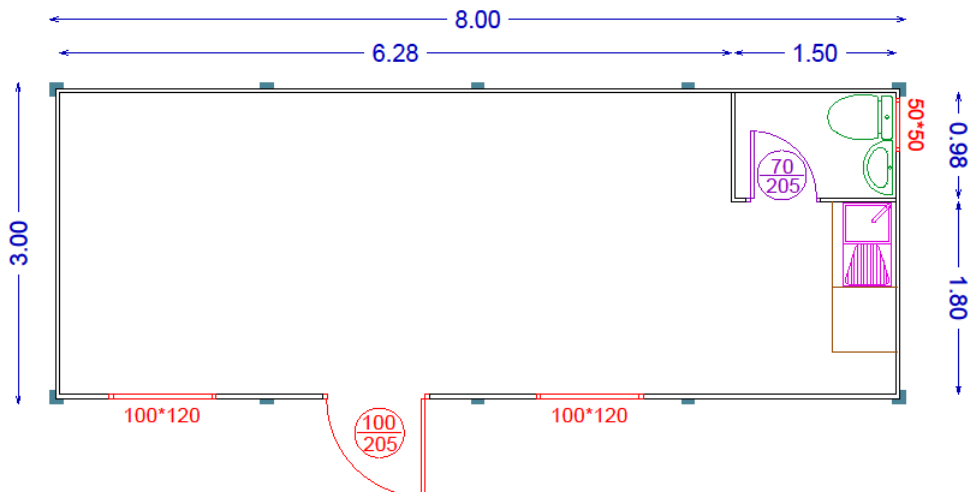
B804



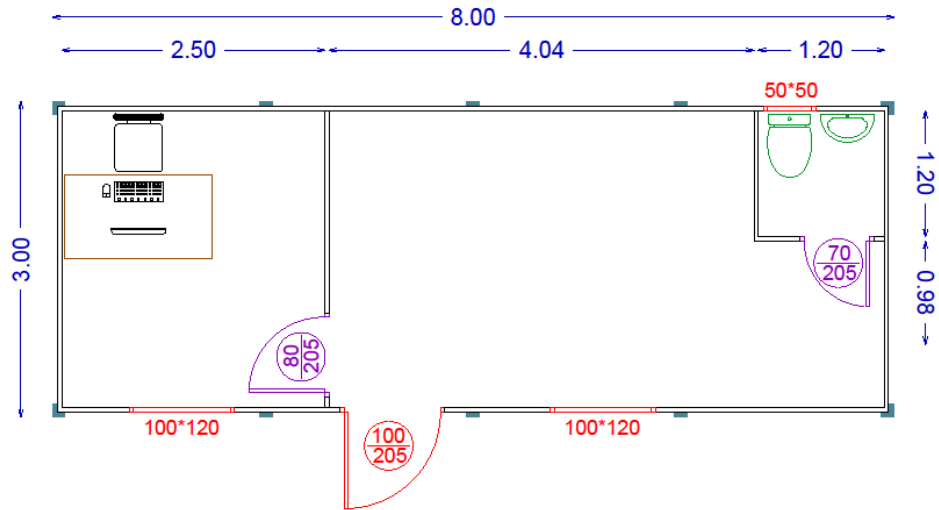
B805



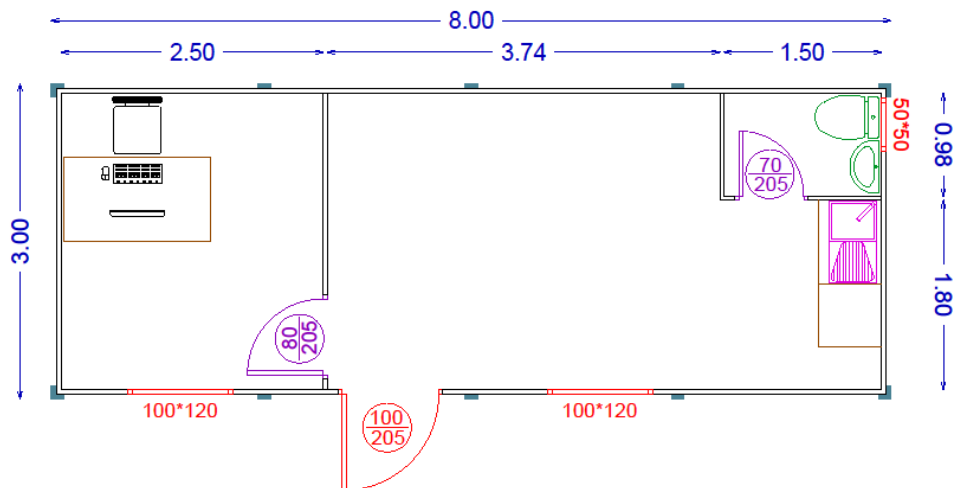
B806



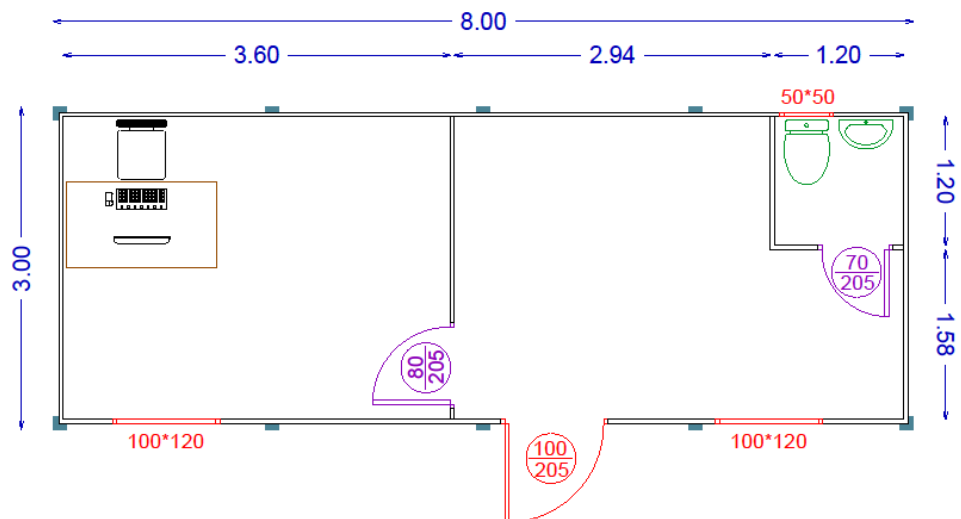
B807



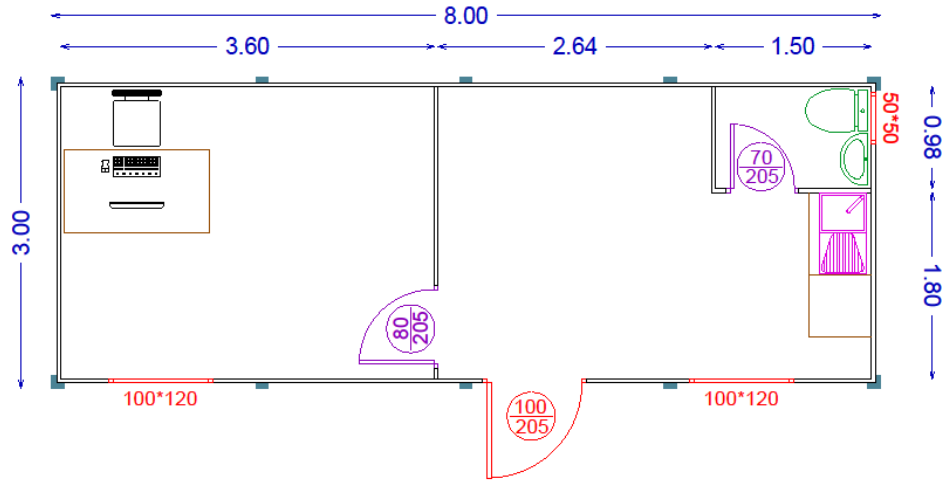
B808



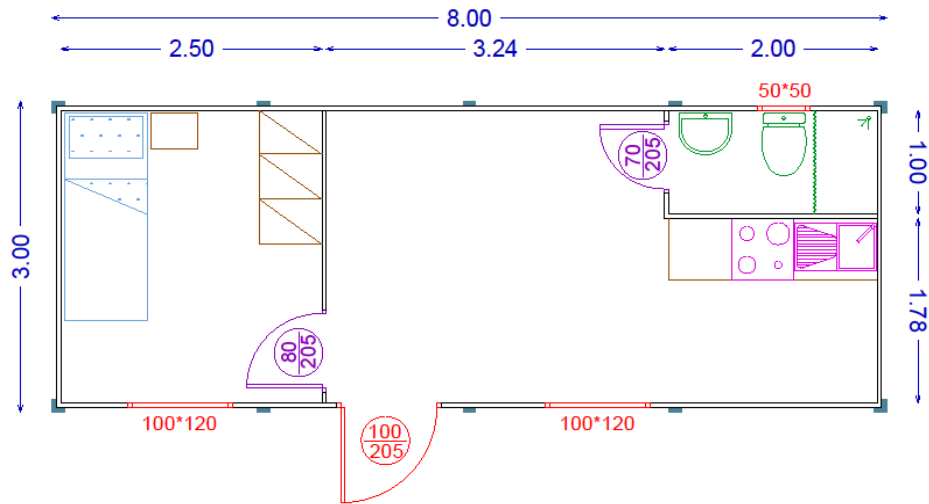
B809



B810



B811



B812

