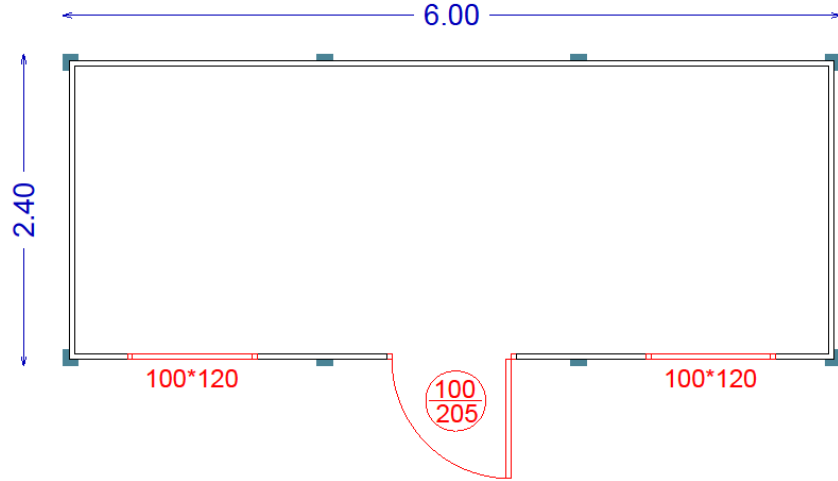


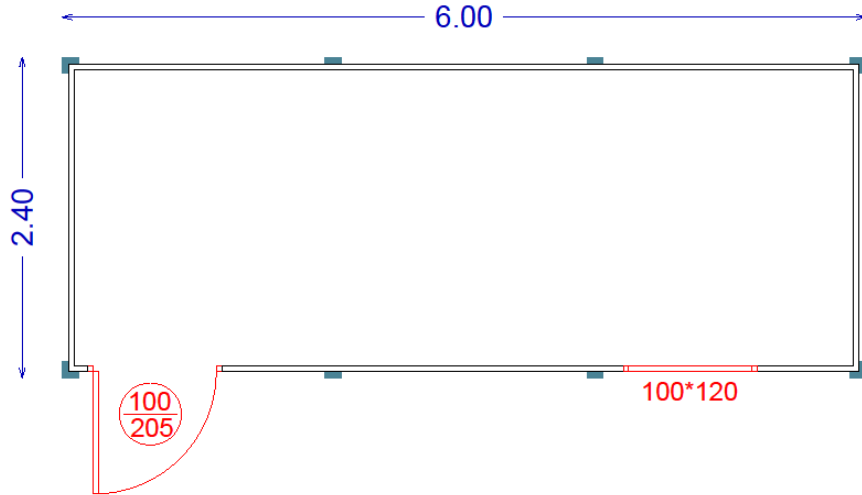
**MOD.**

**ΚΑΤΟΨΗ**

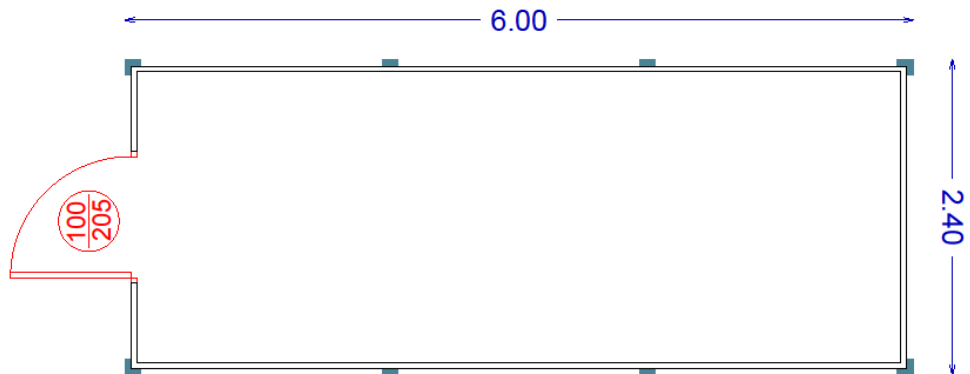
A110



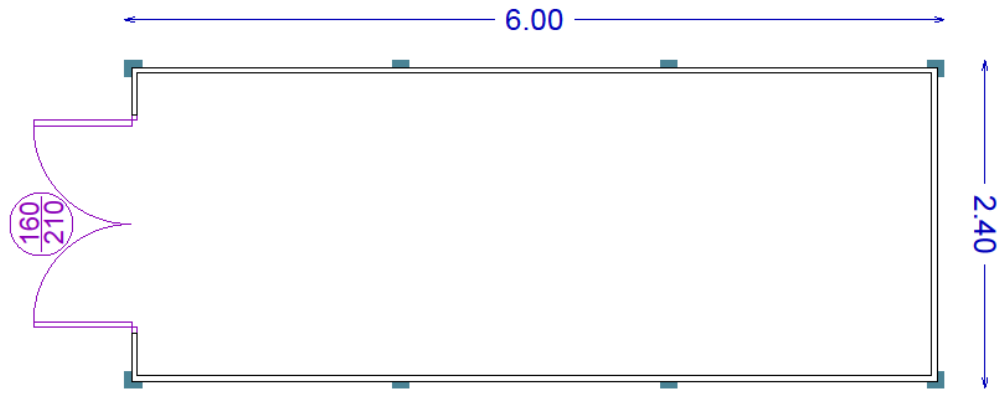
A120



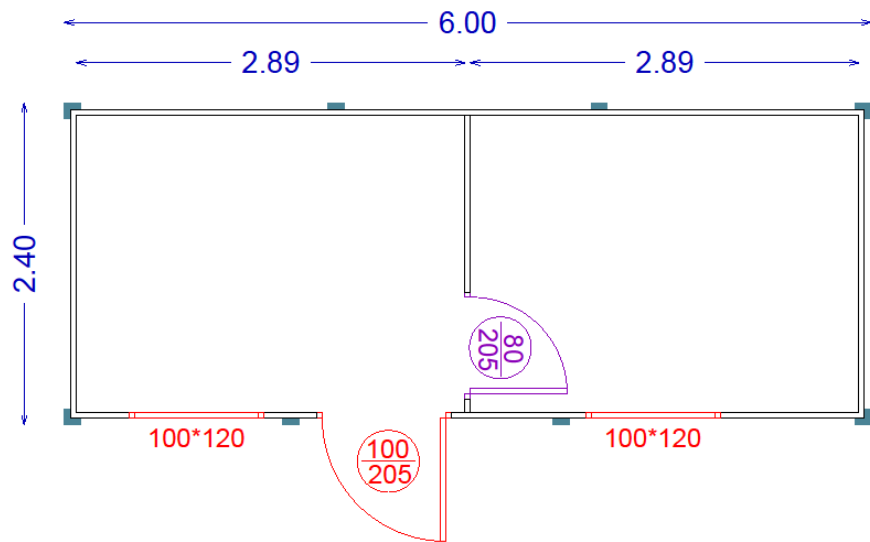
A130



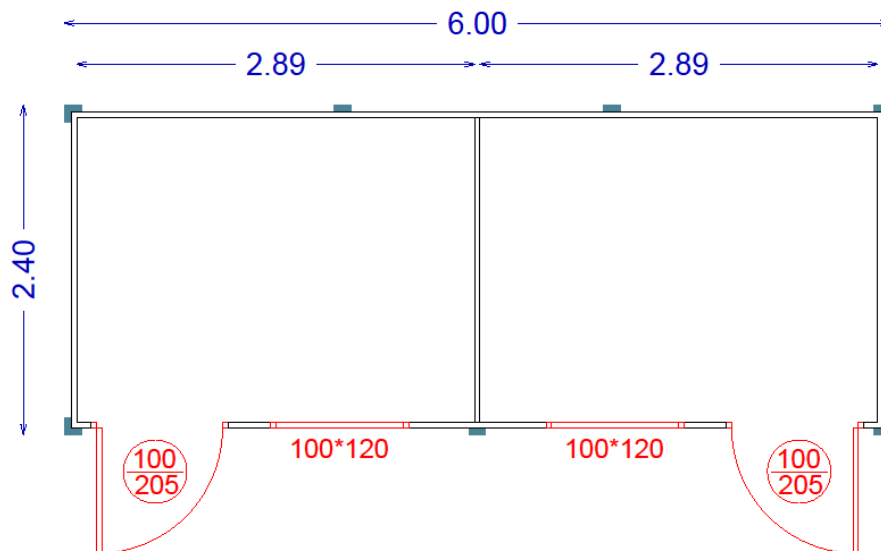
A140



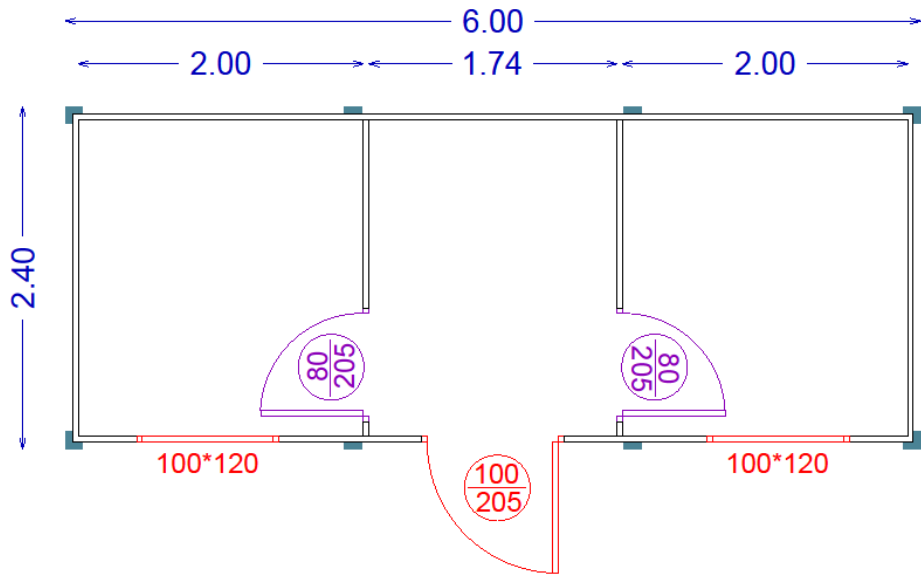
A210



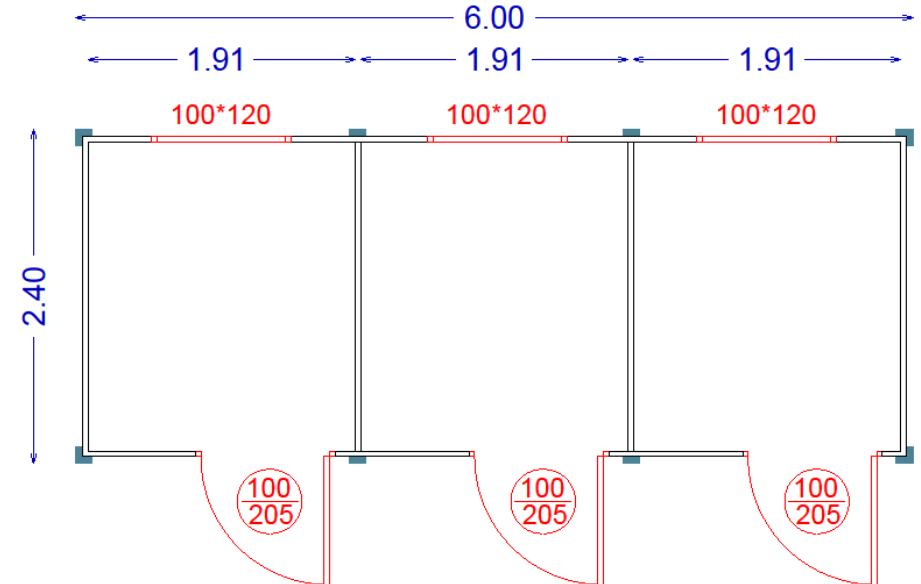
A220



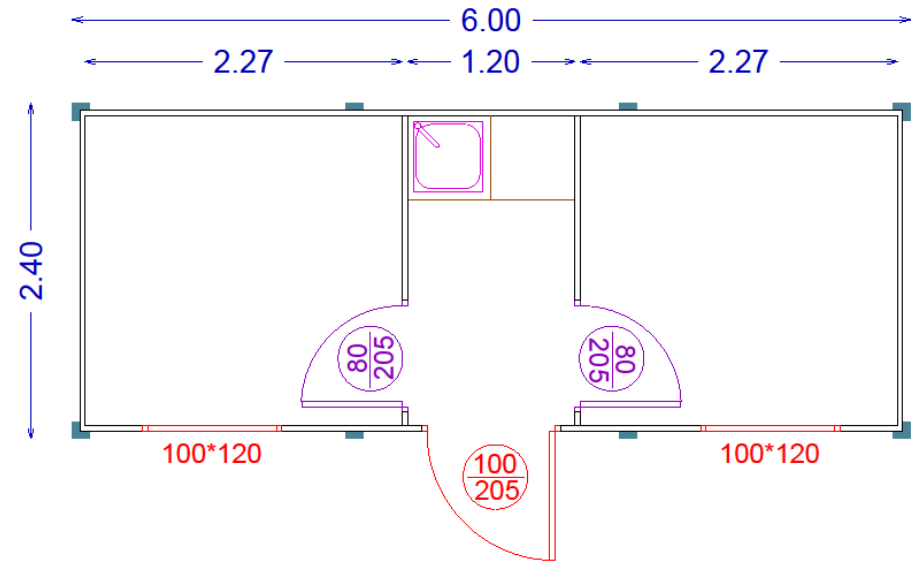
A240



A250



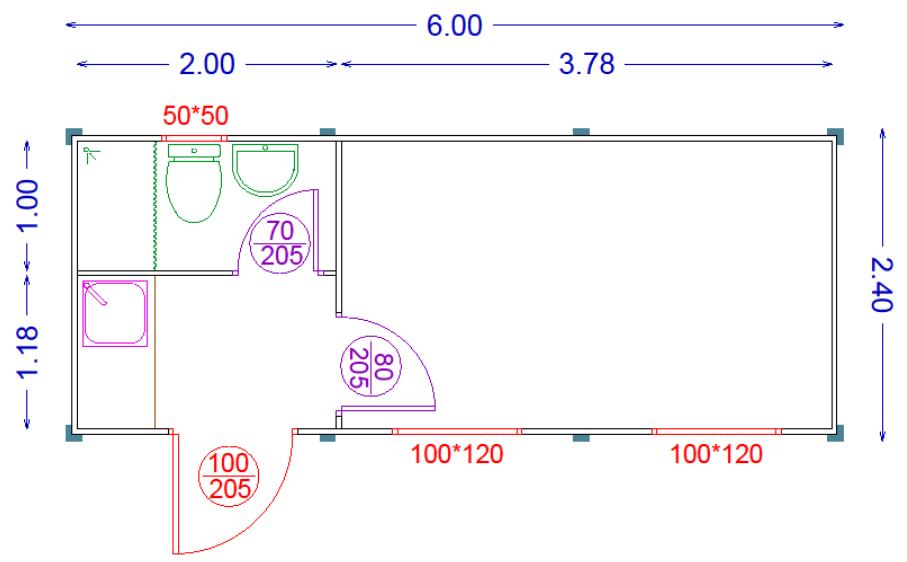
A310

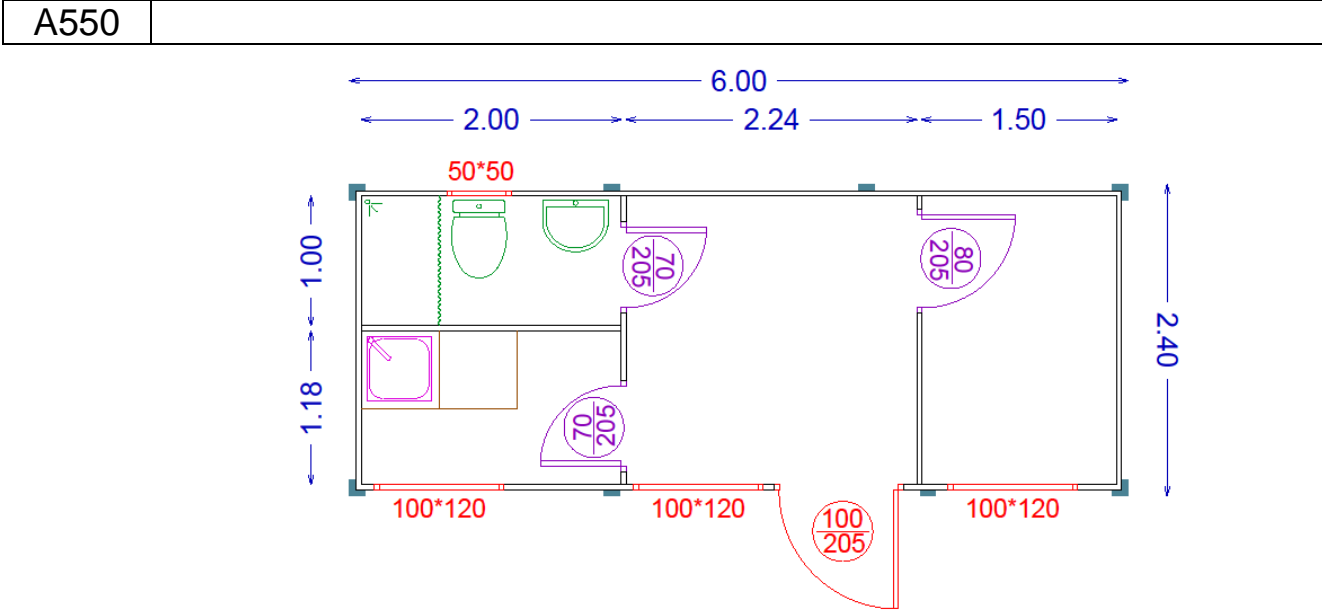
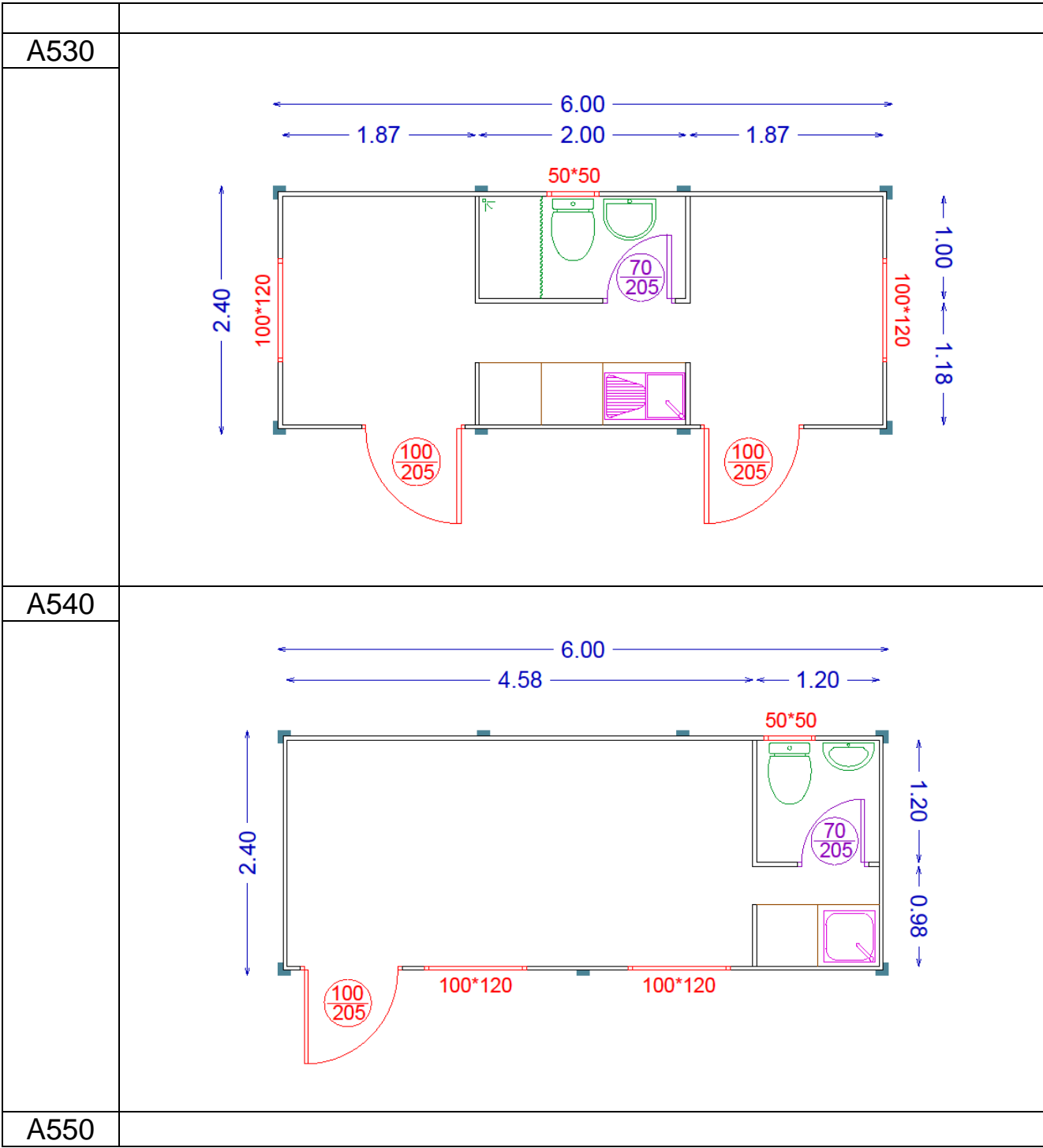


<p>A330</p>	
<p>A410</p>	
<p>A420</p>	

<p>A430</p>	
<p>A510</p>	

A520

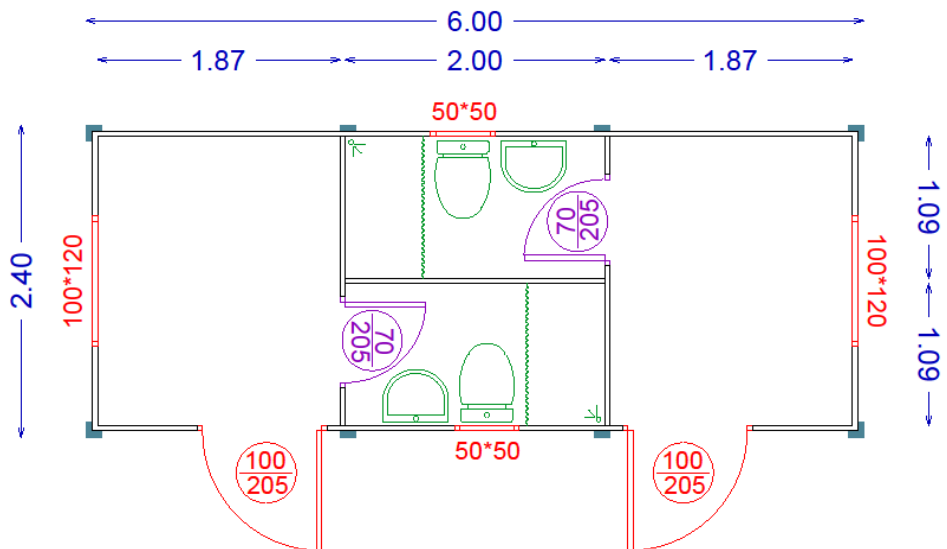




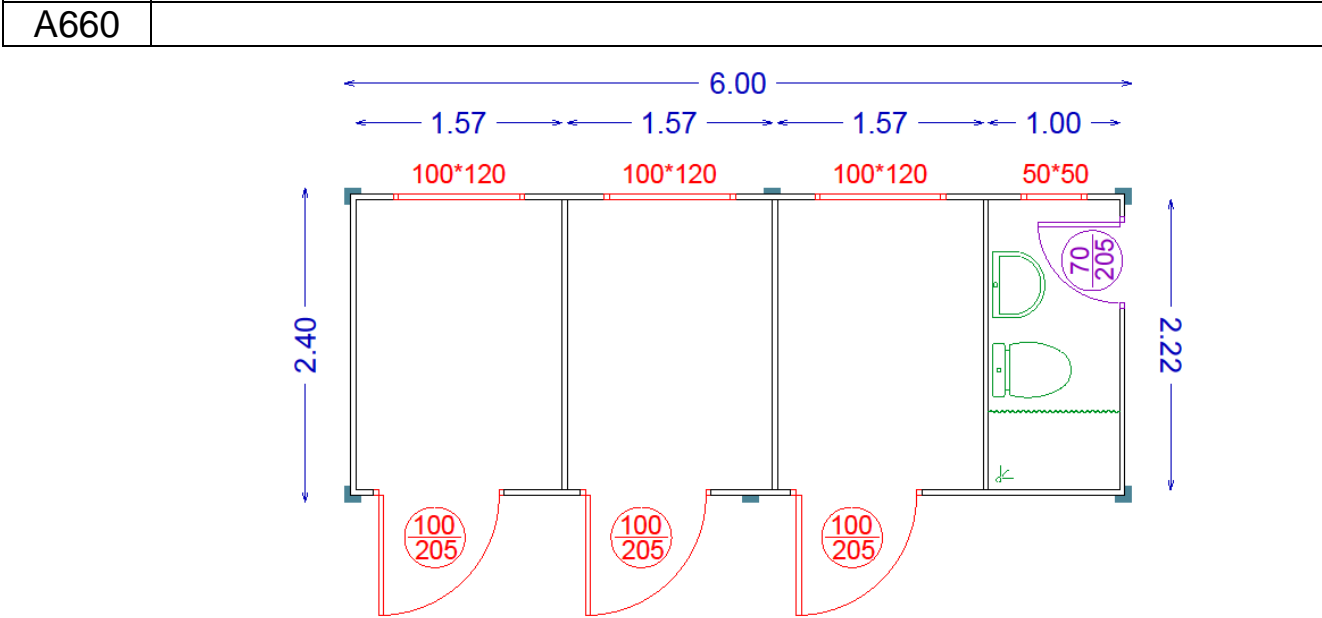
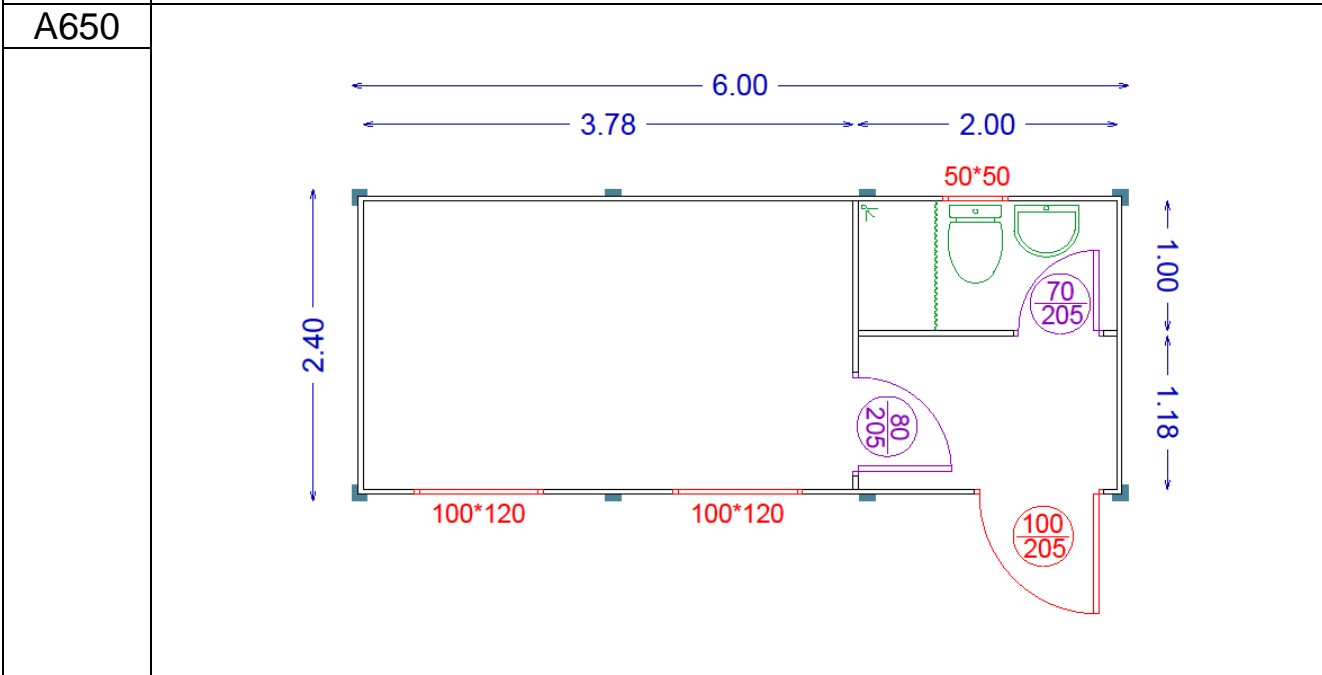
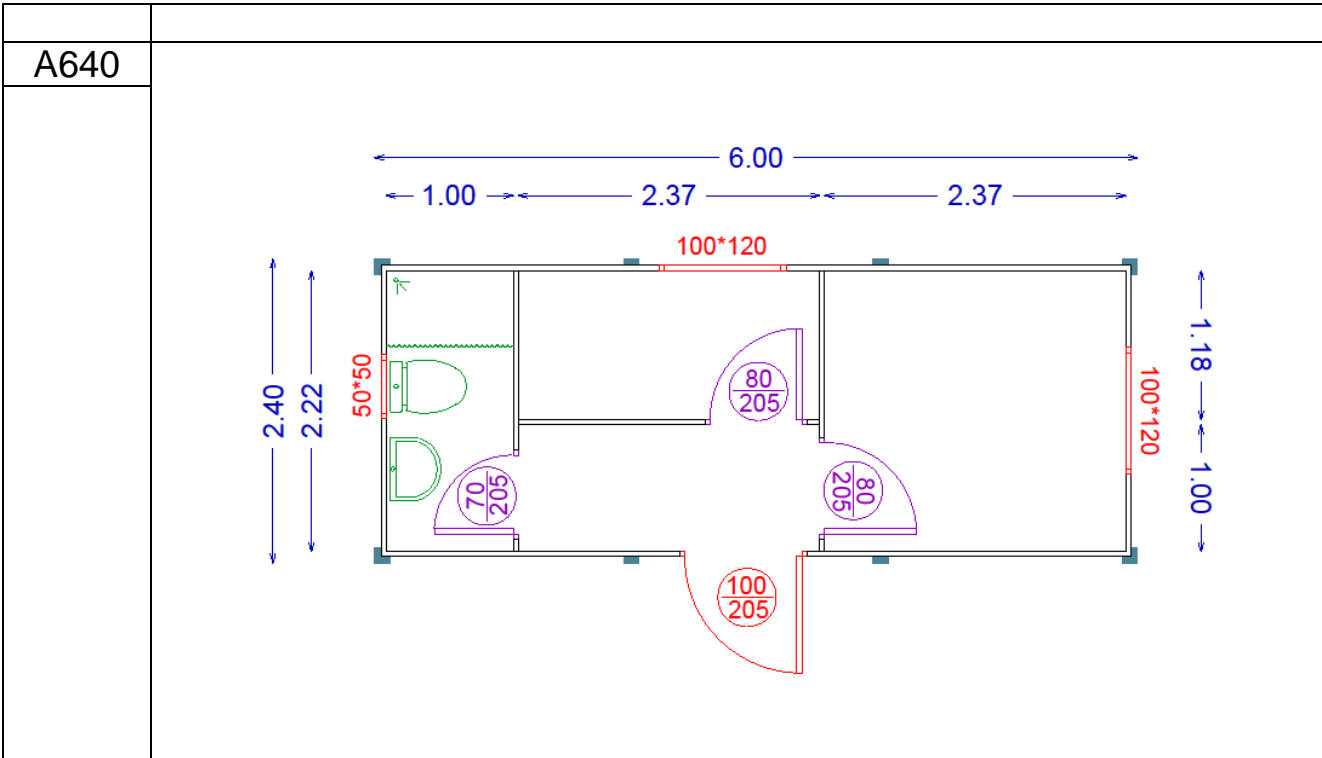
<p>A570</p>	
<p>A580</p>	

<p>A590</p>	
-------------	--

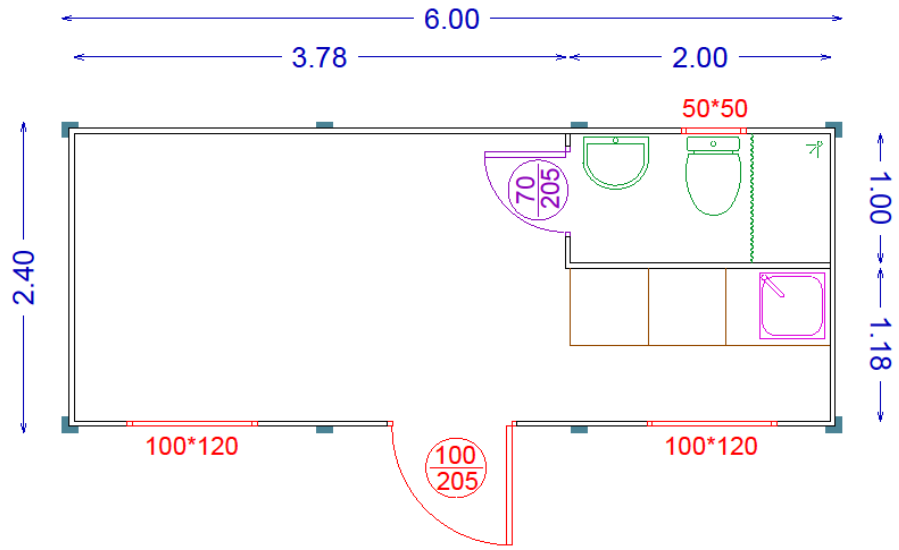
<p>A610</p>	<p>Floor plan for A610 showing a bathroom layout. The overall width is 6.00m and the depth is 2.40m. The layout includes a toilet, sink, and shower area. Dimensions are marked as 1.87m, 2.00m, and 1.87m. Door and window sizes are indicated as 100/205, 70/205, 80/205, 502/08, and 50*50.</p>
<p>A620</p>	<p>Floor plan for A620 showing a bathroom layout. The overall width is 6.00m and the depth is 2.40m. The layout includes a toilet, sink, and shower area. Dimensions are marked as 4.78m and 1.00m. Door and window sizes are indicated as 100/205, 70/205, and 50*50.</p>



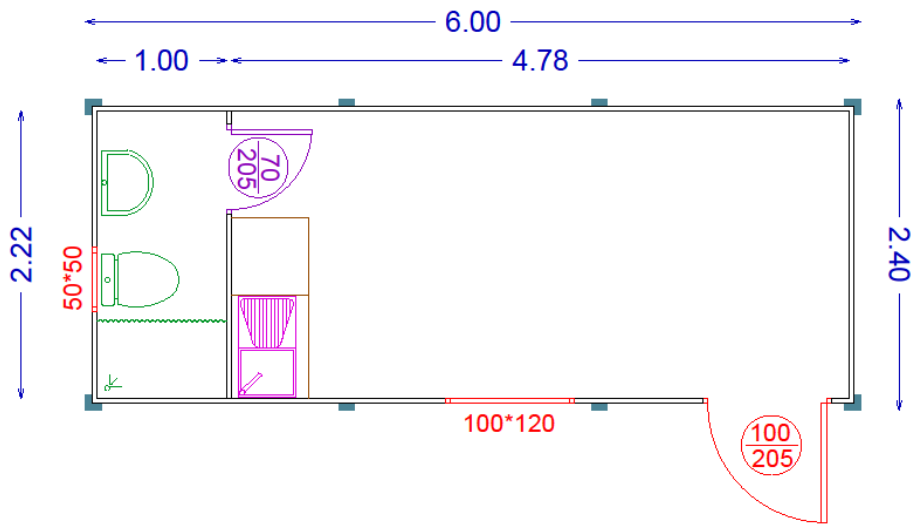




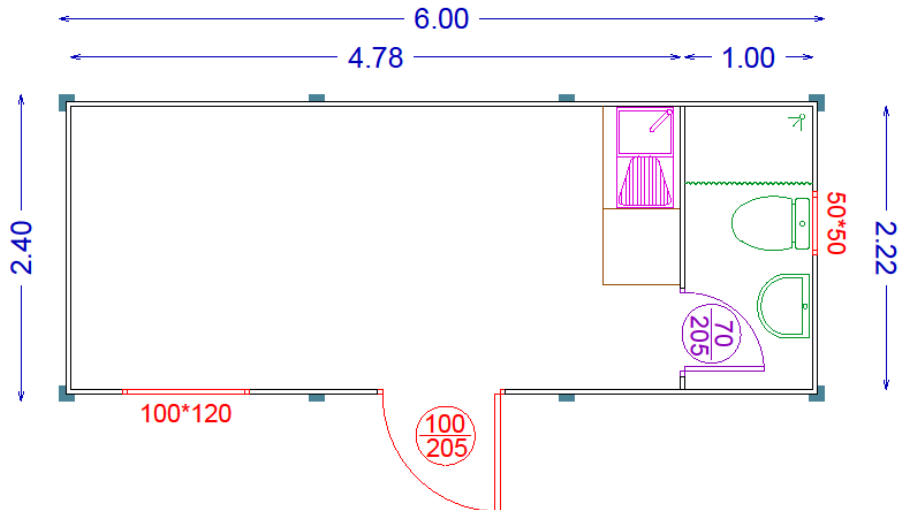
<p>A670</p>	<p>Floor plan for A670. The layout is symmetrical with two restrooms. The total width is 6.00m, divided into segments of 1.00m, 1.85m, 1.85m, and 1.00m. The total depth is 2.40m. Restroom components are labeled with sizes: 100*120 for the main restrooms, 50*50 for the side restrooms, and 70/205 for the toilet and sink. There are two circular openings labeled 100/205.</p>
<p>A690</p>	<p>Floor plan for A690. The layout is asymmetrical with a restrooms area on the right. The total width is 6.00m, divided into segments of 2.37m, 2.37m, and 1.00m. The total depth is 2.40m. Restroom components are labeled with sizes: 100*120 for the main restrooms, 50*50 for the side restrooms, and 50/207 for the toilet and sink. There are two circular openings labeled 100/205.</p>



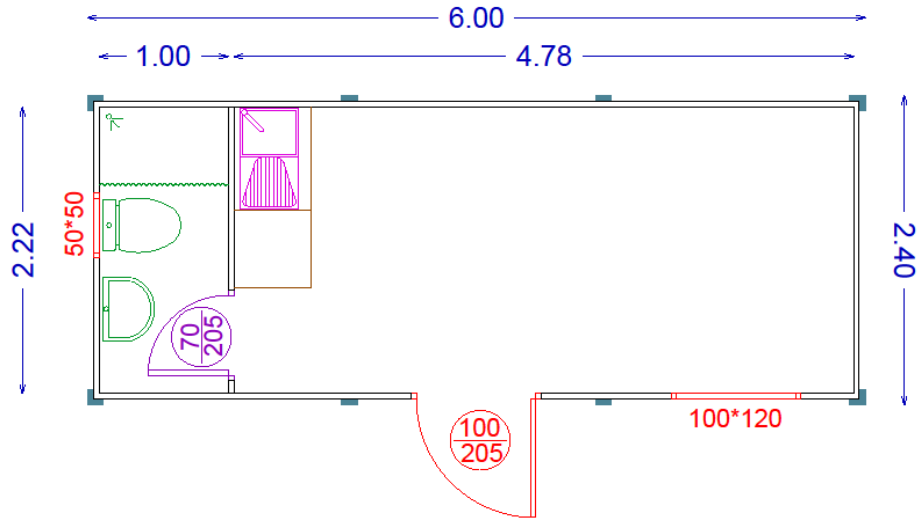
<p>A602</p>	
<p>A603</p>	
<p>A604</p>	



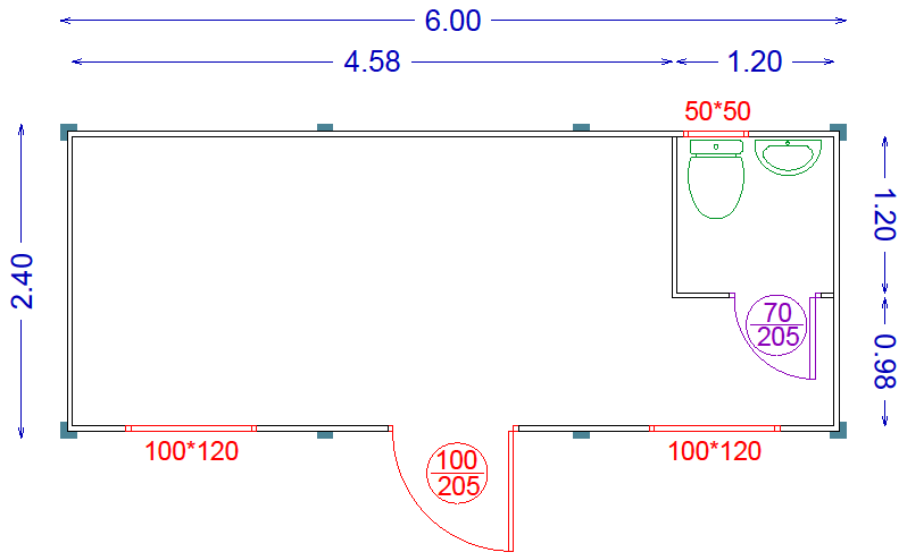
<p>A605</p>	
<p>A611</p>	
<p>A612</p>	



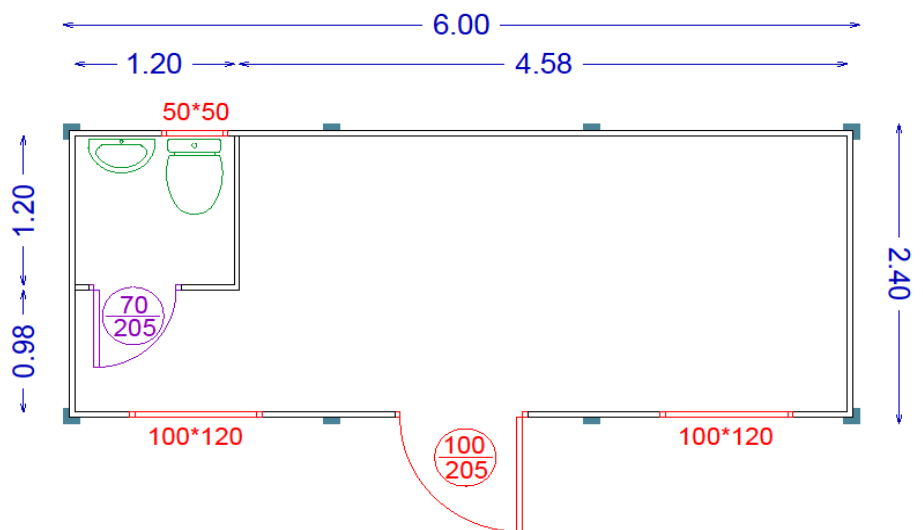
A613



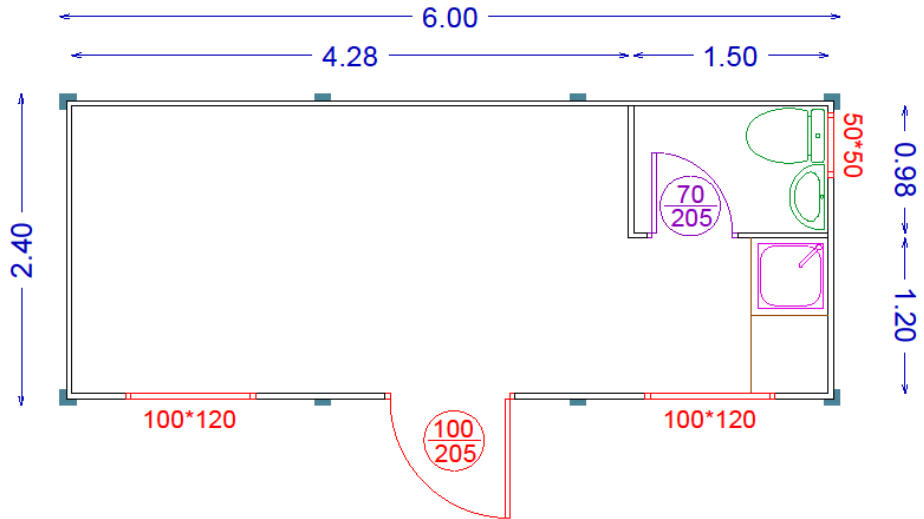
A614



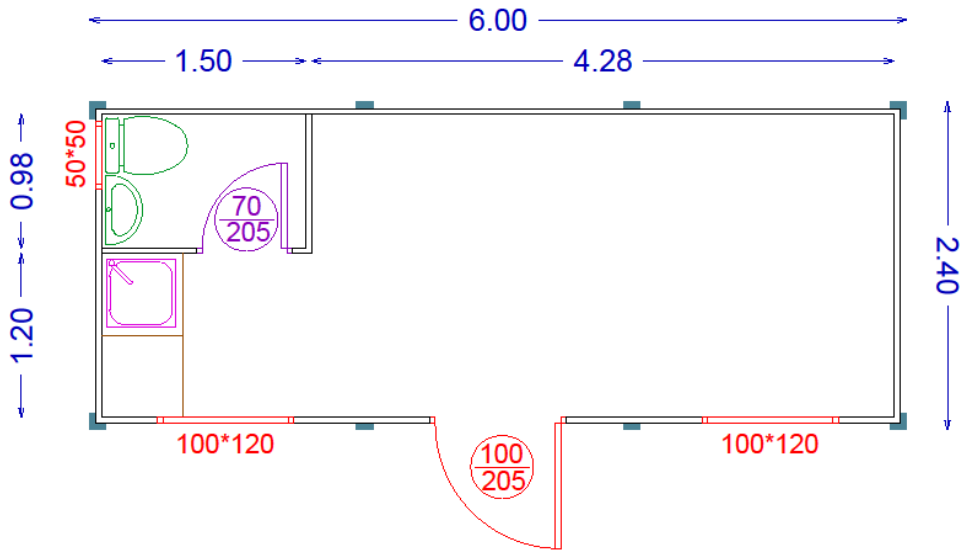
A615



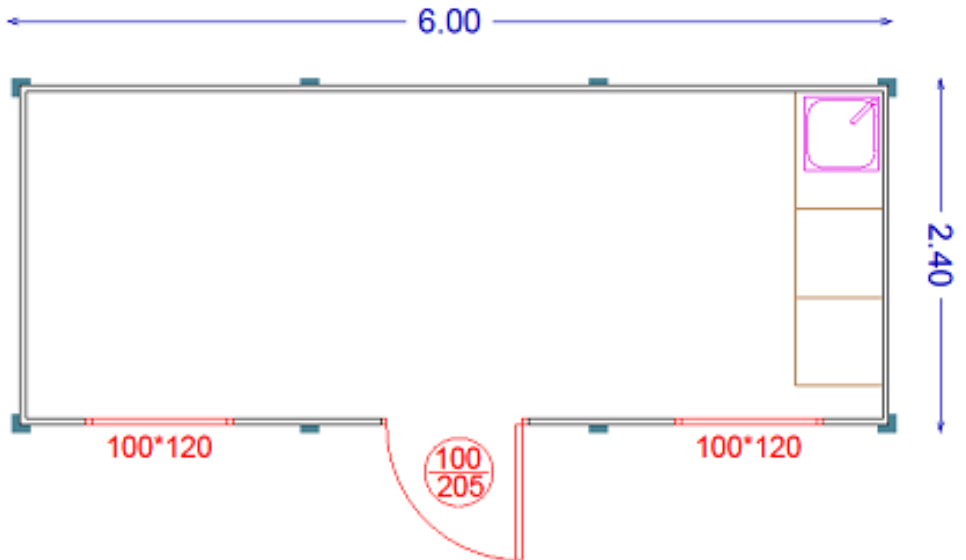
A621



A622

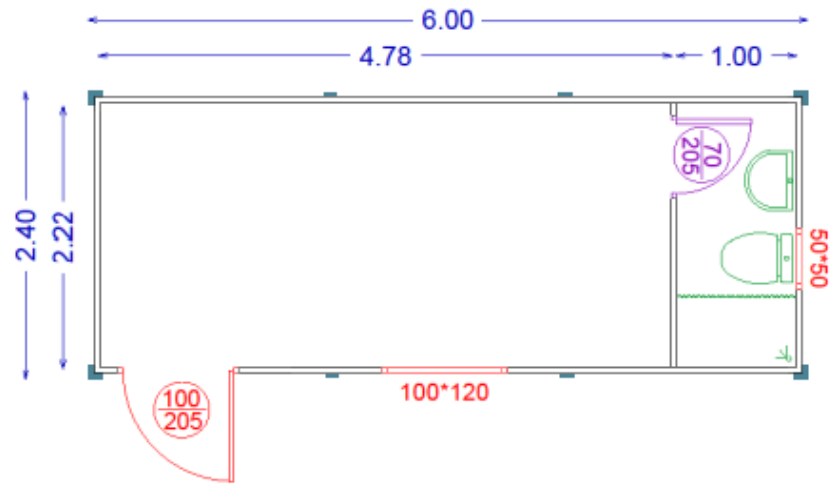


A624



<p>A626</p>	<p>Floor plan for unit A626. The unit is 6.00m wide and 2.40m deep. The layout includes a bathroom (top left) with a toilet and sink, a kitchen area (bottom left) with a sink and stove, and a living area (right). A door is labeled 70/205 and a window is labeled 100/205. Kitchen fixtures are labeled 100*120. Dimensions: total width 6.00m, distance from left wall to door 1.20m, distance from door to right wall 4.58m, total depth 2.40m, distance from top wall to kitchen 0.98m, distance from top wall to bathroom 50*50.</p>
<p>A628</p>	<p>Floor plan for unit A628. The unit is 6.00m wide and 2.40m deep. The layout includes a bathroom (top left) with a toilet and sink, a kitchen area (bottom left) with a sink and stove, and a living area (right). A door is labeled 70/205 and a window is labeled 100/205. Kitchen fixtures are labeled 100*120. Dimensions: total width 6.00m, distance from left wall to door 1.50m, distance from door to right wall 4.28m, total depth 2.40m, distance from top wall to kitchen 0.98m, distance from top wall to bathroom 50*50.</p>
<p>A630</p>	<p>Floor plan for unit A630. The unit is 6.00m wide and 2.40m deep. The layout includes a bathroom (top left) with a toilet and sink, a kitchen area (bottom left) with a sink and stove, and a living area (right). A door is labeled 70/205 and a window is labeled 100/205. Kitchen fixtures are labeled 100*120. Dimensions: total width 6.00m, distance from left wall to door 1.20m, distance from door to right wall 4.58m, total depth 2.40m, distance from top wall to kitchen 0.98m, distance from top wall to bathroom 50*50.</p>

A632



A634

